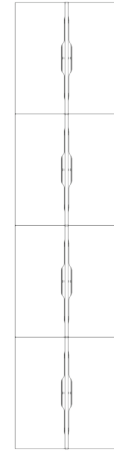
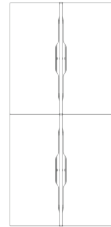

Leader

Leader has been developed with a focus on agile,
user friendly work environments

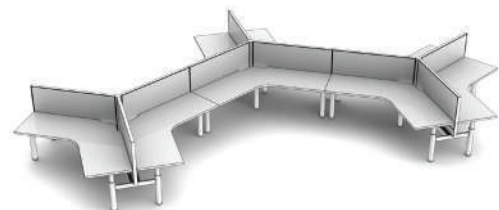
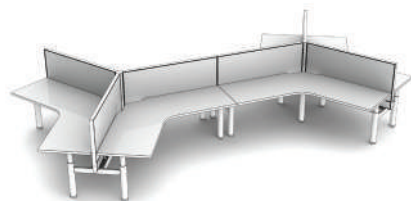
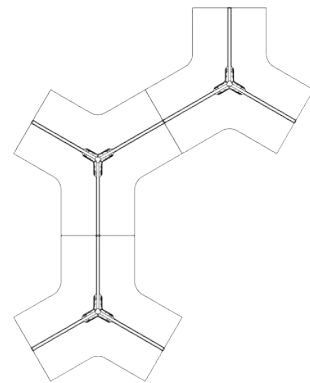
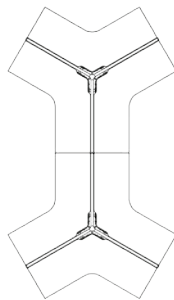
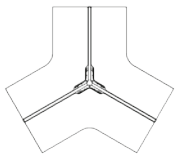
Our unique Australian designed and engineered
system is strong, adaptable, encourages workplace
flexibility and offers an uninterrupted workflow

The design has come together from over 40 years
of workstation research and development

Cluster Variations

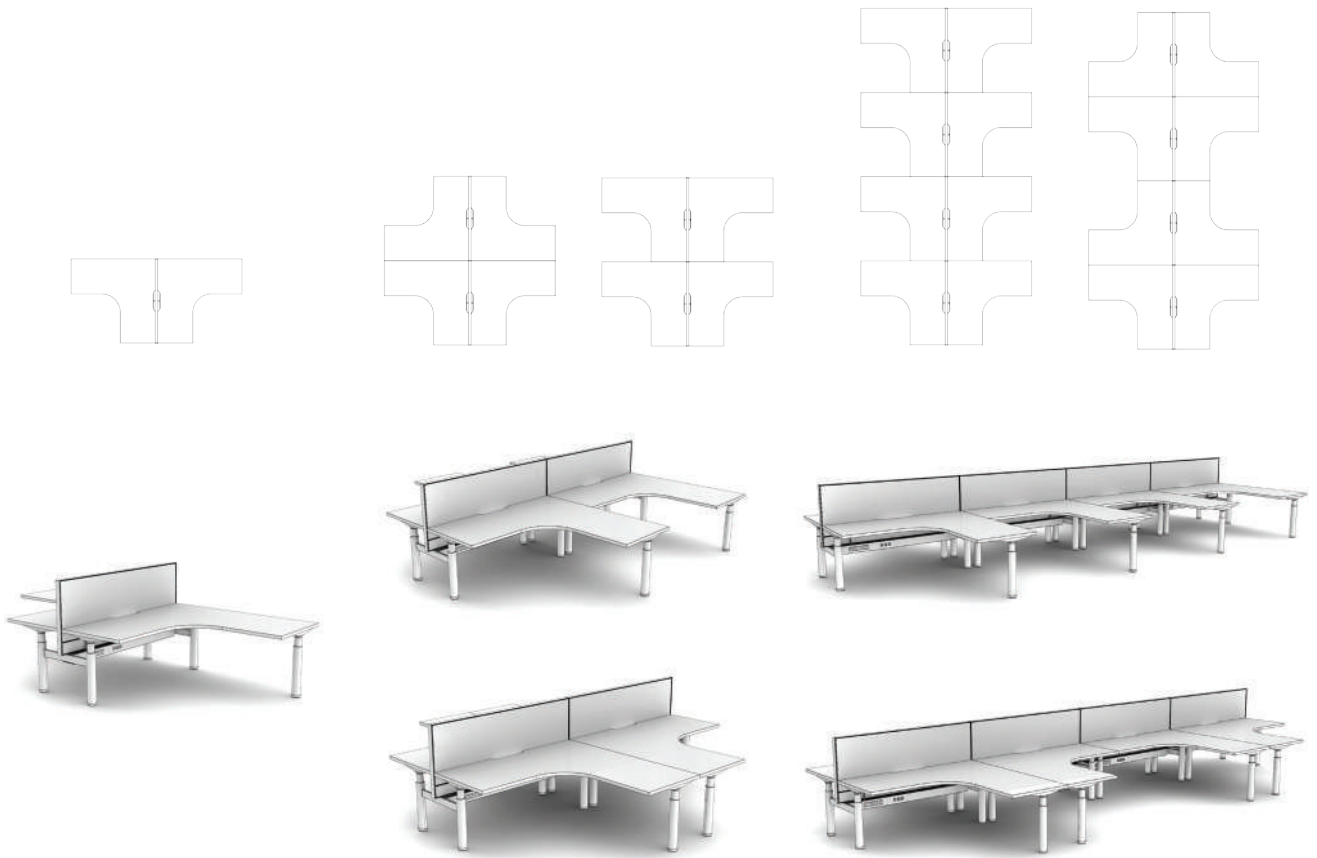


180° Clusters

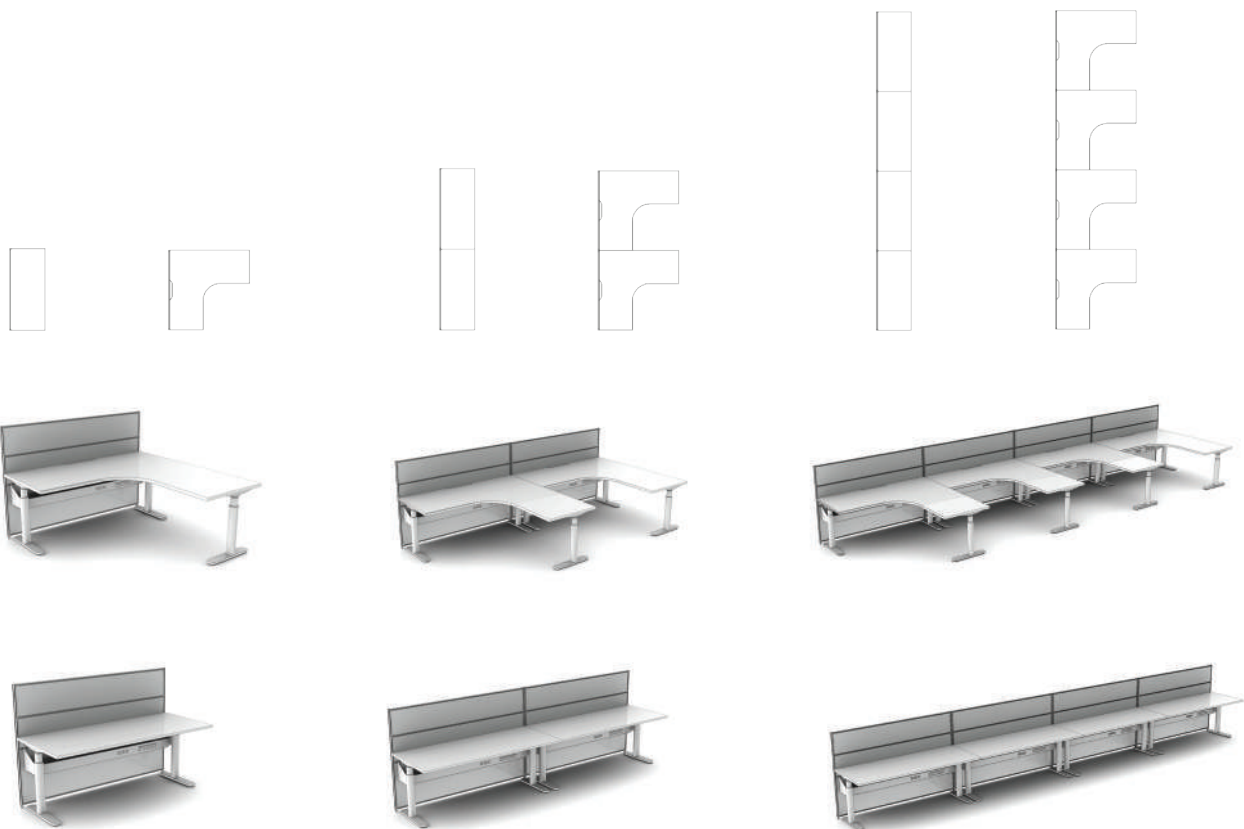


120° Clusters

Cluster Variations



90° Cluster



Single Sided Desks

Leg Styles

Fixed



Fixed leg height allows no height changes.

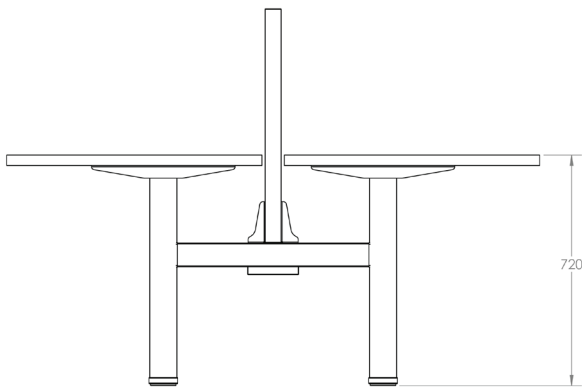
Minimal moving parts create a very strong work platform.

Suited for environments that don't require user worktop height adjustments.

Worktop height can be specified prior to manufacture.

**Maxton Fox standard and Australian standard is set to 720mm worktop height.*

Suited to seated work environments



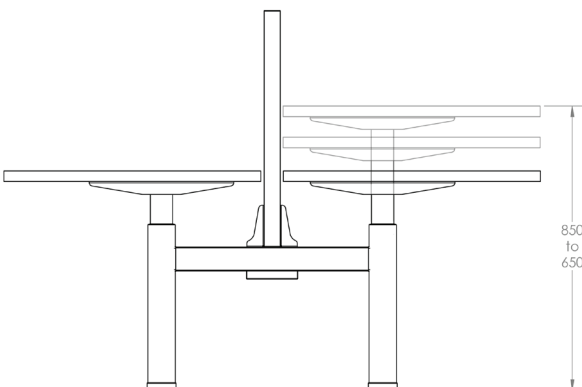
Technician

Adjustable in 20mm increments.

Technician height adjustment allows height changes which can be adjusted by a service technician.

Suited to seated work environments

Height range
650mm- 850mm



Leg Styles

Wind Up

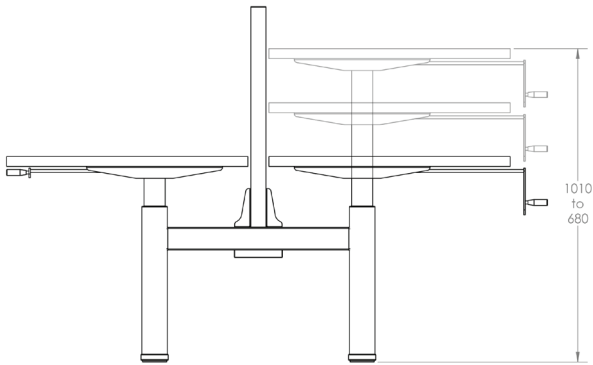
Option 1 - 610mm to 760mm
AUS Standard height settings

Option 2 - 680mm to 1010mm
Sit to Stand height settings

Retractable handle allows the user to adjust the worktop height.

Wind up eight adjustment allows height changes which can be adjusted by the user.

Suited to sit to stand work environments



Electronic

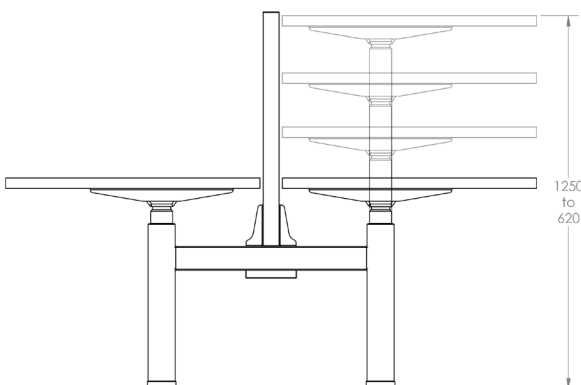
Fitted with Anti Collision Technology

Electronic height adjustment allows the user to have a sit to stand work environment.

All height adjustments are made through a digital panel located under the worktop.

Fully programmable with 3 preset memory options

Height range
620mm - 1250mm

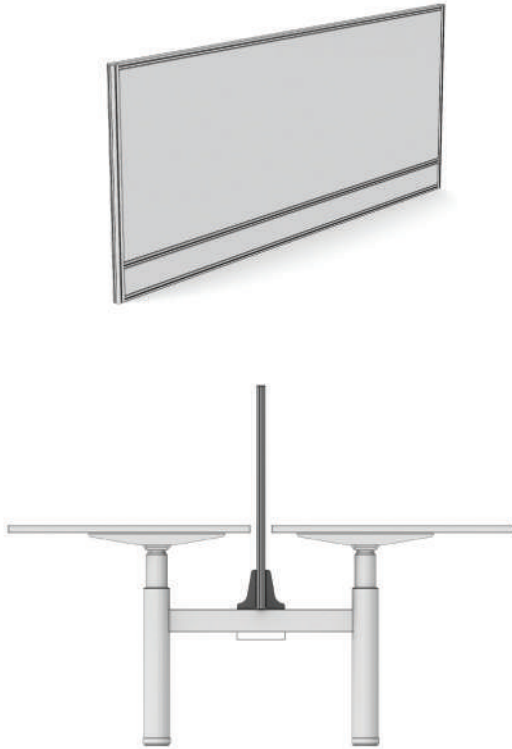


Quality

The Leader frame and all leg styles meet Australian and Furntec AFRDI manufacturing and testing standards.

Screen Variations

Solid Panel Screen



Utilises System 25 Screens

Aluminium rails with solid panels or upholstered pinnable polyurethane panels.

Height - 400mm to 700mm

Suitable for legs

- Fixed
- Technician
- Wind Up
- Electronic Sit to Stand

Dual Screen



Utilises System 25 Screens

Each worktop has a dedicated screen keeping the screen height nominal with the worktop.

Aluminium rails with solid panels or upholstered pinnable polyurethane panels.

Height - 400mm to 700mm

Suitable for legs

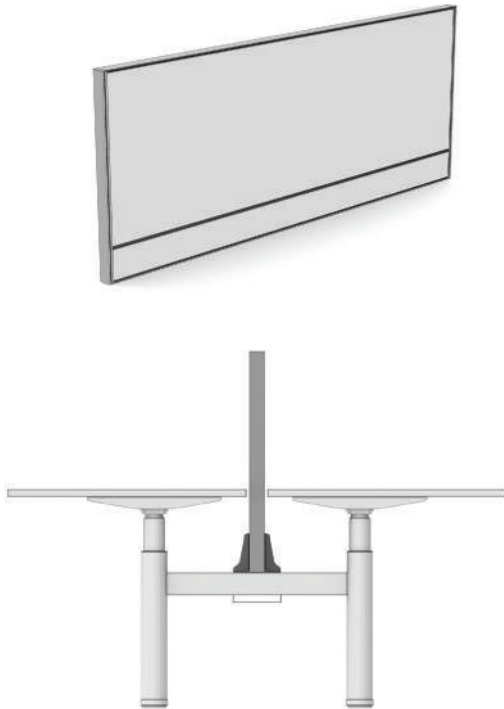
- Wind Up
- Electronic Sit to Stand

Quality

System 25 and 50 meet Australian and Furntec AFRDI manufacturing and testing standards.

Screen Variations

Internal Power Screen Panel



Utilises System 50

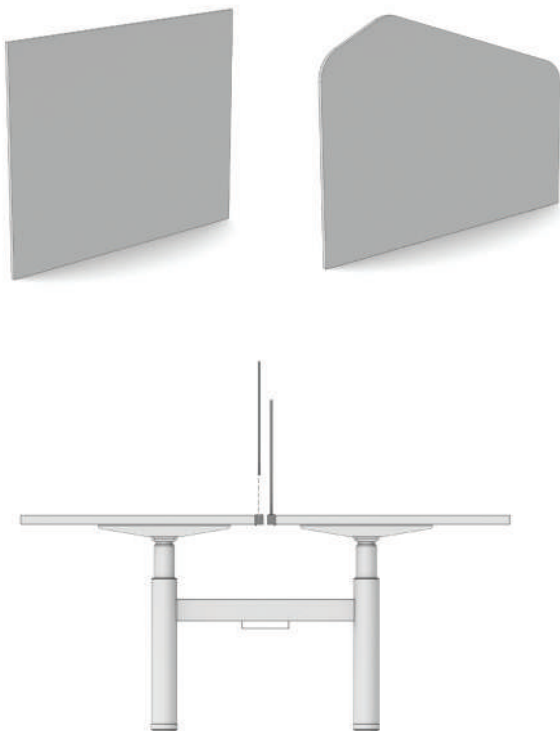
Aluminium rails with solid panels.
Internal cavity to allow power reticulation.

Height - 400mm to 700mm

Suitable for legs

- Fixed
- Technician
- Wind Up
- Electronic Sit to Stand

Eco Panel Rail



Utilises 7mm panelling

Panel is interchangeable along the rail allow user versatility.

Height - 300mm to 500mm

Panel options

- Eco panel
- Plywood / timber veneer
- Laminate
- Perspex
- Sheet metal
- Fabric wrapped board
- Whiteboard

Suitable for legs

- Fixed
- Technician
- Wind Up
- Electronic Sit to Stand

Power Options

Power Pole

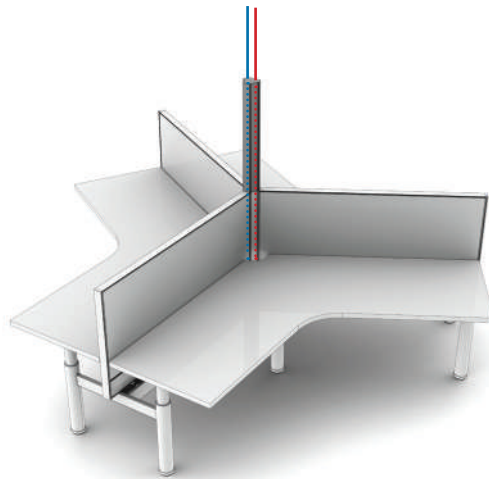
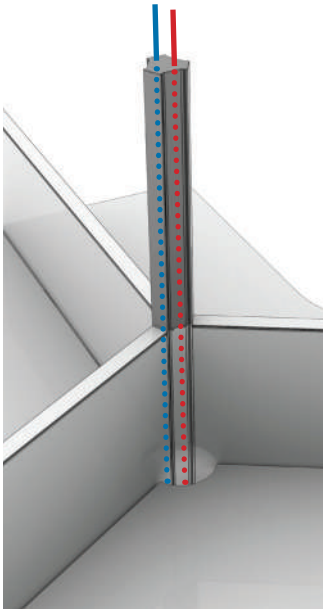
Metal fabricated power pole mounted from ceiling to center column of workstation.

Connects to System 50 screens

Powdercoated

Suitable for -

- 120° System
- Fixed legs
- Technician adjustable legs
- Wind up legs
- Electronic sit to stand



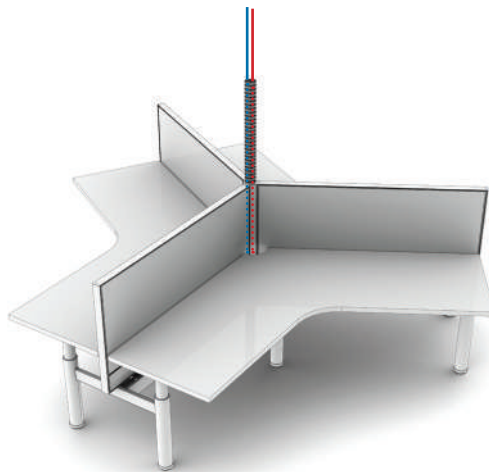
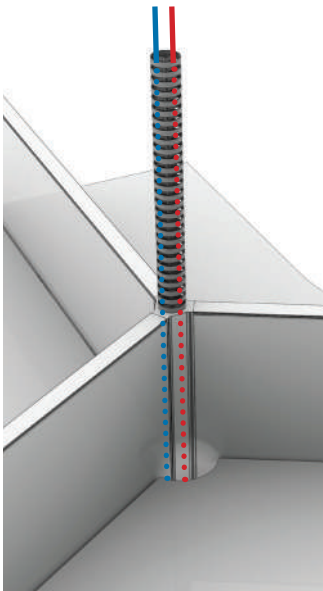
Umbilical

Plastic, flexible umbilical mounted from ceiling to center column of workstation.

Aluminium and solid upholstered panels

Suitable for -

- 120° System
- Fixed legs
- Technician adjustable legs
- Wind up legs
- Electronic sit to stand



Power Fin- End

Metal fabricated power pole mounted from ceiling to center column of workstation.

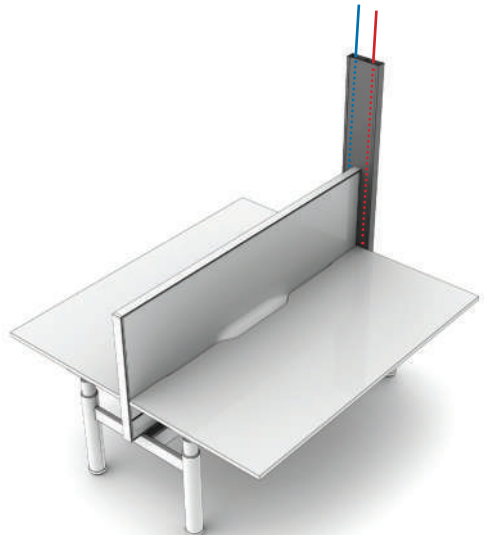
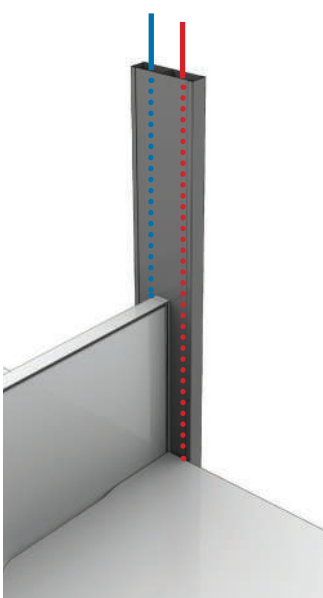
Panel inserts available in a range of materials and finishes

Connects to System 25 & 50 screens

Powdercoated

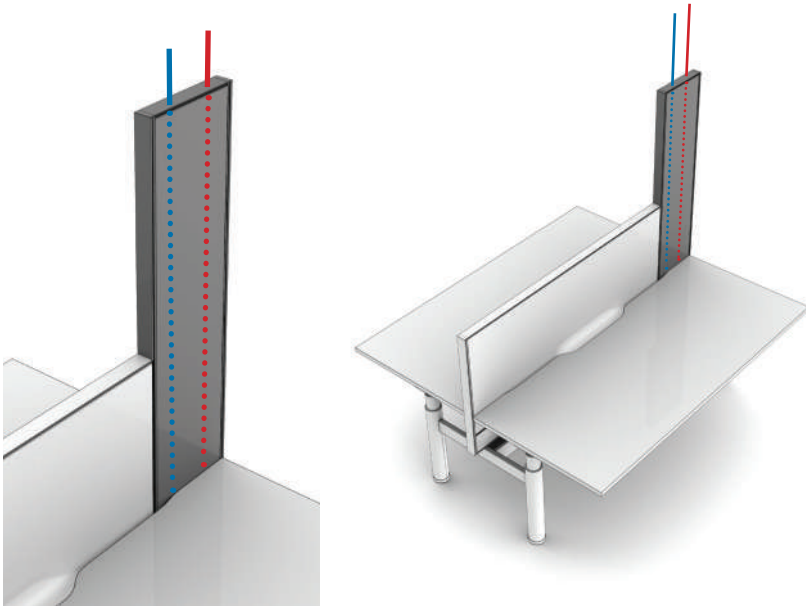
Suitable for -

- 120°, 180°, 90° Systems
- Fixed legs
- Technician adjustable legs
- Wind up legs
- Electronic sit to stand



Power Options

Power Fin- In Line



Aluminum extrusion power pole mounted from ceiling to center column of workstation.

Panel inserts available in a range of materials and finishes

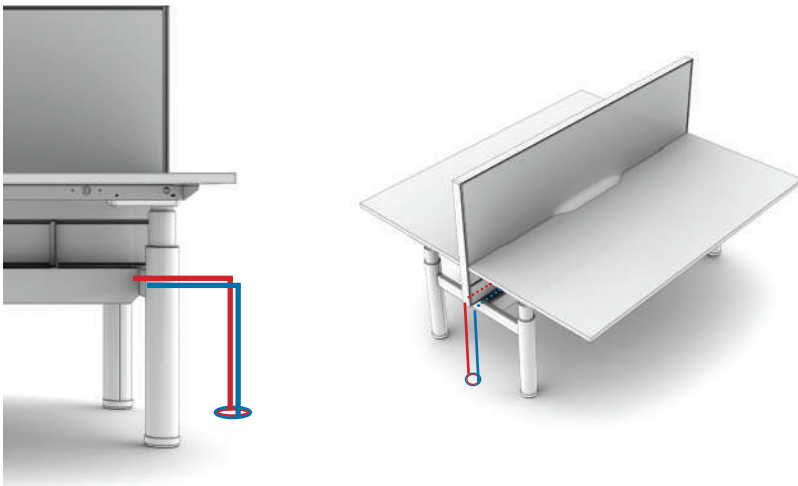
Connects to System 50 screens

Powdercoated frame

Suitable for -

- 120°, 180°, 90° Systems
- Fixed legs
- Technician adjustable legs
- Wind up legs
- Electronic sit to stand

Floor Starter

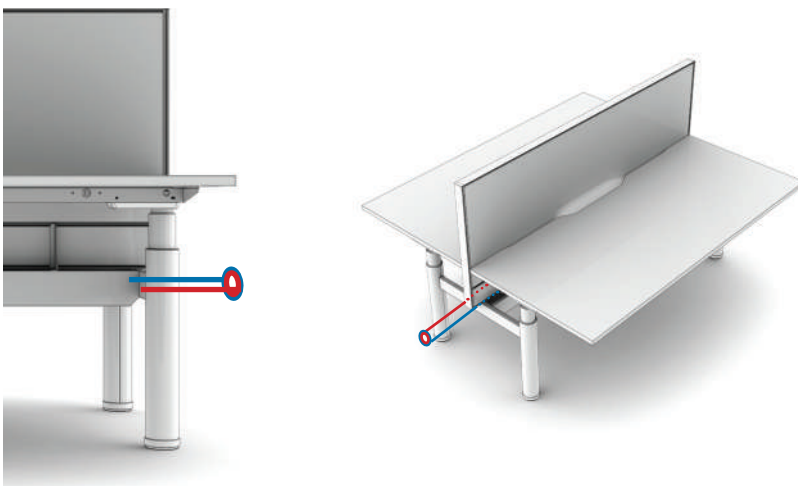


Power connects from a floor starter directly to the cable management tray.

Suitable for -

- 120°, 180°, 90° Systems
- Fixed legs
- Technician adjustable legs
- Wind up legs
- Electronic sit to stand

Wall Starter



Power connects from a wall starter directly to the cable management tray.

Suitable for -

- 120°, 180°, 90° Systems
- Fixed legs
- Technician adjustable legs
- Wind up legs
- Electronic sit to stand

MAXTON ■ FOX

Maxton Fox Furniture Systems Pty Ltd
Sydney Canberra Adelaide Perth Brisbane Melbourne

Head Office & Manufacturing
378 Vardys Rd- Kings Park- NSW 2148- Australia

+61 2 9621 6611
info@maxtonfox.com.au
maxtonfox.com.au